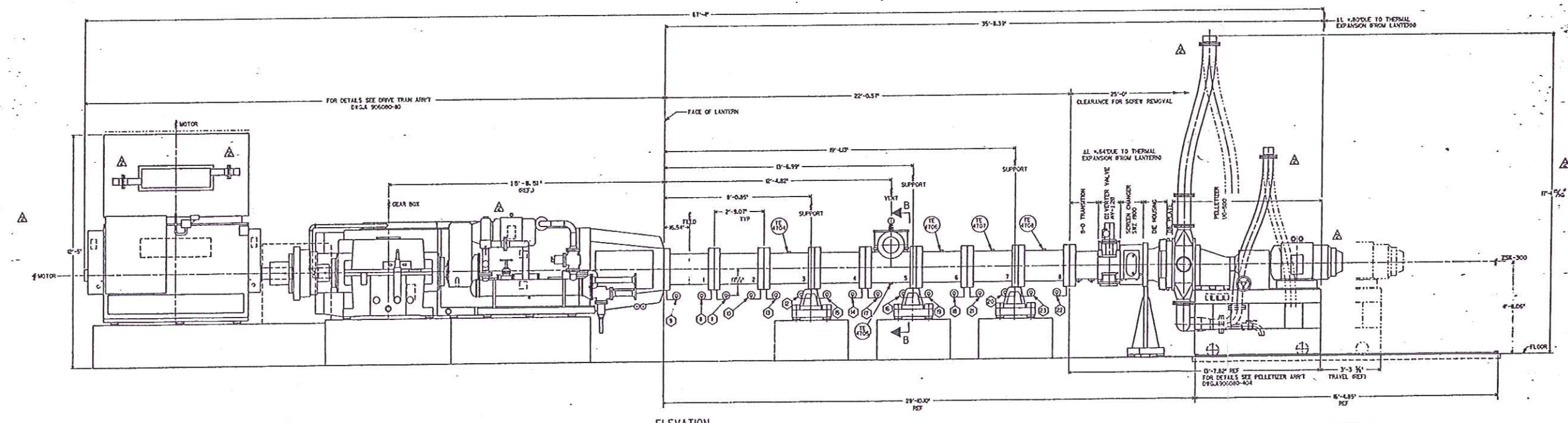
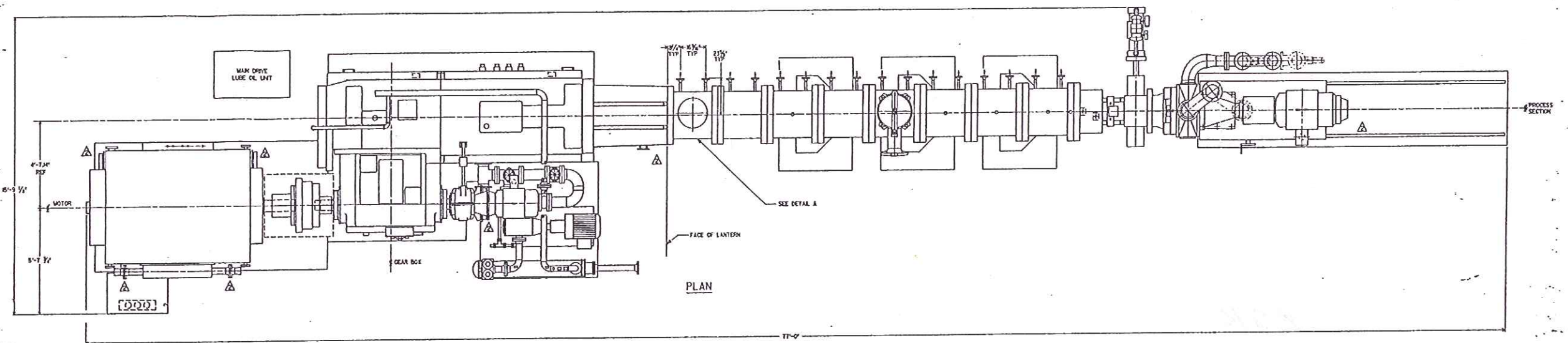
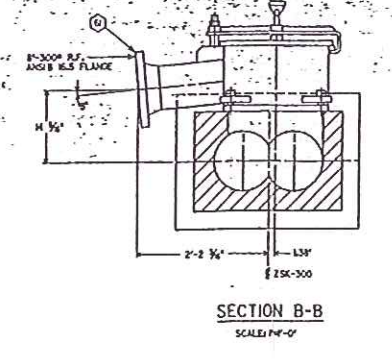
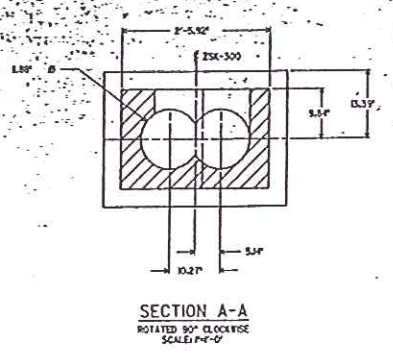
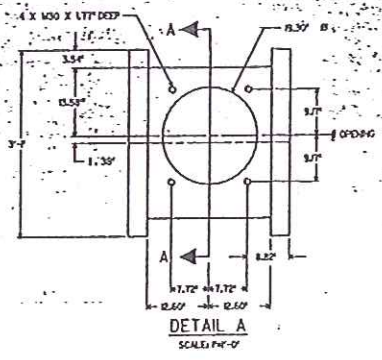


PROPRIETARY NOTICE
 THE INFORMATION CONTAINED HEREIN IS UNCLASSIFIED EXCEPT WHERE SHOWN OTHERWISE. IT IS THE PROPERTY OF THE UNITED STATES GOVERNMENT AND IS LOANED TO YOU. IT AND ITS CONTENTS ARE TO BE KEPT CONFIDENTIAL AND NOT TO BE RELEASED OR DISCLOSED IN ANY MANNER TO ANY OTHER PERSON OR ORGANIZATION WITHOUT THE EXPRESS WRITTEN PERMISSION OF THE UNITED STATES GOVERNMENT.



NOTES
 UNLESS SHOWN THIS LOCATE PERM CONNECTION DESCRIBED IN 90600-005. REFERENCE DRAWINGS:
 A 90600-004 - PELLETIZER ARRANGEMENT
 A 90600-011 SH1.1 - FOUNDATION ARRANGEMENT
 A 90600-011 SH1.2 - FOUNDATION GROUPING
 A 90600-00 - DRIVE TRAIN ARRANGEMENT.

B.A.	DESIGNED	FOR ENGINEERING
D.B.	DESIGNED	CHANGE AS NOTED
C.E.	DESIGNED	CHANGE AS NOTED
C.F.	DESIGNED	CHANGE AS NOTED
C.G.	DESIGNED	CHANGE AS NOTED
C.H.	DESIGNED	CHANGE AS NOTED
C.I.	DESIGNED	CHANGE AS NOTED
C.J.	DESIGNED	CHANGE AS NOTED
C.K.	DESIGNED	CHANGE AS NOTED
C.L.	DESIGNED	CHANGE AS NOTED
C.M.	DESIGNED	CHANGE AS NOTED
C.N.	DESIGNED	CHANGE AS NOTED
C.O.	DESIGNED	CHANGE AS NOTED
C.P.	DESIGNED	CHANGE AS NOTED
C.Q.	DESIGNED	CHANGE AS NOTED
C.R.	DESIGNED	CHANGE AS NOTED
C.S.	DESIGNED	CHANGE AS NOTED
C.T.	DESIGNED	CHANGE AS NOTED
C.U.	DESIGNED	CHANGE AS NOTED
C.V.	DESIGNED	CHANGE AS NOTED
C.W.	DESIGNED	CHANGE AS NOTED
C.X.	DESIGNED	CHANGE AS NOTED
C.Y.	DESIGNED	CHANGE AS NOTED
C.Z.	DESIGNED	CHANGE AS NOTED

CONTRACT 65702
 P.O. NO. 4-0712
 SER. NO. 005 (5)
 ITEM NO. 27167-117
 25-4003

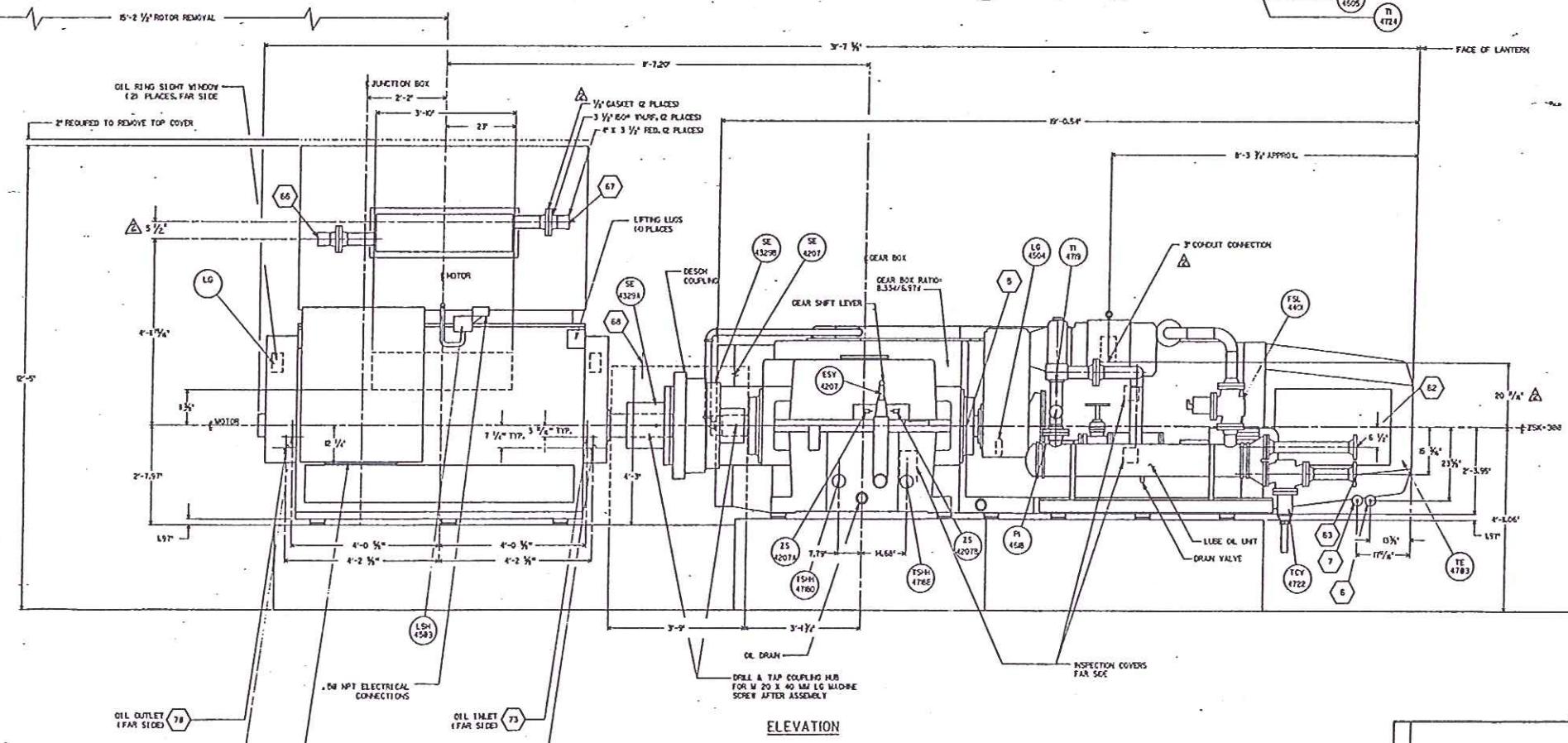
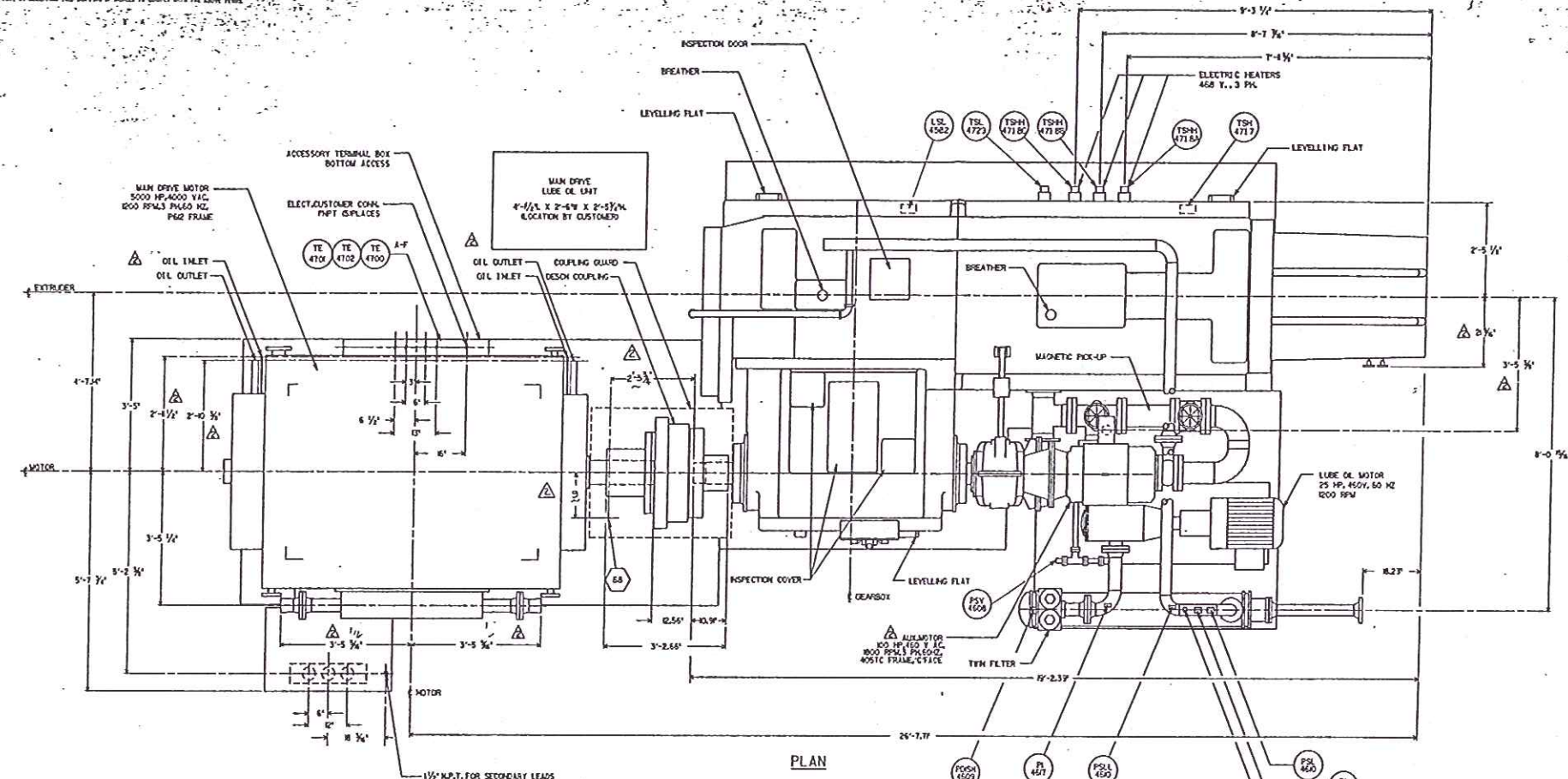
REV	DESCRIPTION	DATE	BY	CHECKED BY
2	REVISED AS NOTED	1/17/54	J.W.	J.W.
1	REVISED AS NOTED	1/17/54	J.W.	J.W.
8	FOR CONSTRUCTION	1/17/54	J.W.	J.W.
4	FOR APPROVAL	1/17/54	J.W.	J.W.

MACHINE INSTALLATION
 ZSK-300 F 13000 KBN

MEYER & PLEIDERM CORPORATION
 110 S. WASHINGTON ST. CHICAGO, ILL. 60604
 TEL. 312-467-1000

J. YEATON A1 90600-100 2

OSHA 11111, 111110001111 NO. PREPARED BY: ...
 THE BUYER'S DRAWING REPRESENTS THE DESIGN OF THE BUYER'S EQUIPMENT. IT IS THE BUYER'S RESPONSIBILITY TO OBTAIN ALL NECESSARY PERMITS AND APPROVALS FROM THE LOCAL AUTHORITIES. THE BUYER'S EQUIPMENT SHALL BE AS SHOWN IN THIS DRAWING UNLESS OTHERWISE SPECIFIED. THE BUYER'S EQUIPMENT SHALL BE AS SHOWN IN THIS DRAWING UNLESS OTHERWISE SPECIFIED.



NOTES:
 1. MARKERS SHOWN THIS DESCRIPTION. SEE DTA 13000-005.
 REFERENCE DRAWINGS:
 A-13000-000 MACHINE INSTALLATION
 A-13000-001 SHEET 1 FOUNDATION
 A-13000-002 SHEET 2 FOUNDATION GRADING
 ZDESCH COUPLING PNEUMATIC MONITOR UNIT:
 - MOUNTING TO BE BY CUSTOMER WITH 6" AFT. FROM ROTARY HEAD ON REPT. SHAFT.
 - UNIT DIMENSIONS ARE 21 1/2" X 14 1/2" X 11 1/2".
 - FOR SCHEMATIC DIAGRAM SEE DTA 13000-000 SHU.
 - FOR AIR CONNECTION SIZES SEE DTA 13000-000 SHU.
 - ELECTRICAL CONNECTIONS FOR UNIT TO BE LOCATED & DRILLED IN FIELD BY CUSTOMER.

REVISIONS:
 1. REVISED AS INDICATED.
 2. REVISED AS INDICATED.
 3. REVISED AS INDICATED.
 4. REVISED AS INDICATED.
 5. REVISED AS INDICATED.
 6. REVISED AS INDICATED.
 7. REVISED AS INDICATED.
 8. REVISED AS INDICATED.
 9. REVISED AS INDICATED.
 10. REVISED AS INDICATED.

ITEM NO. 13000-005
 25-9073

NO.	REVISION	DATE	BY	CHKD.	APP'D.
1	REVISED AS INDICATED	11/11/67	J. YEATON		
2	REVISED AS INDICATED	11/11/67	J. YEATON		
3	REVISED AS INDICATED	11/11/67	J. YEATON		
4	REVISED AS INDICATED	11/11/67	J. YEATON		
5	REVISED AS INDICATED	11/11/67	J. YEATON		
6	REVISED AS INDICATED	11/11/67	J. YEATON		
7	REVISED AS INDICATED	11/11/67	J. YEATON		
8	REVISED AS INDICATED	11/11/67	J. YEATON		
9	REVISED AS INDICATED	11/11/67	J. YEATON		
10	REVISED AS INDICATED	11/11/67	J. YEATON		

DRIVE TRAIN ARRANGEMENT
 ZSK-300 F 13000 K8N
 WERNER & PFLUEGER CORPORATION
 800 E. WASHINGTON STREET, MILWAUKEE, WIS. 53212
 TEL. 414-381-1100
 J. YEATON
 11/11/67
 13000-005-3435
 92000-110

NO.	REVISION	DATE	BY	CHKD.	DESCRIPTION
1					
2					
3					
4					
5					
6					
7					
8					
9					
10					
11					
12					
13					
14					
15					
16					
17					
18					
19					
20					
21					
22					
23					
24					
25					
26					
27					
28					
29					
30					
31					
32					
33					
34					
35					
36					
37					
38					
39					
40					
41					
42					
43					
44					
45					
46					
47					
48					
49					
50					
51					
52					
53					
54					
55					
56					
57					
58					
59					
60					
61					
62					
63					
64					
65					
66					
67					
68					
69					
70					
71					
72					
73					
74					
75					
76					
77					
78					
79					
80					
81					
82					
83					
84					
85					
86					
87					
88					
89					
90					
91					
92					
93					
94					
95					
96					
97					
98					
99					
100					

NOTES:

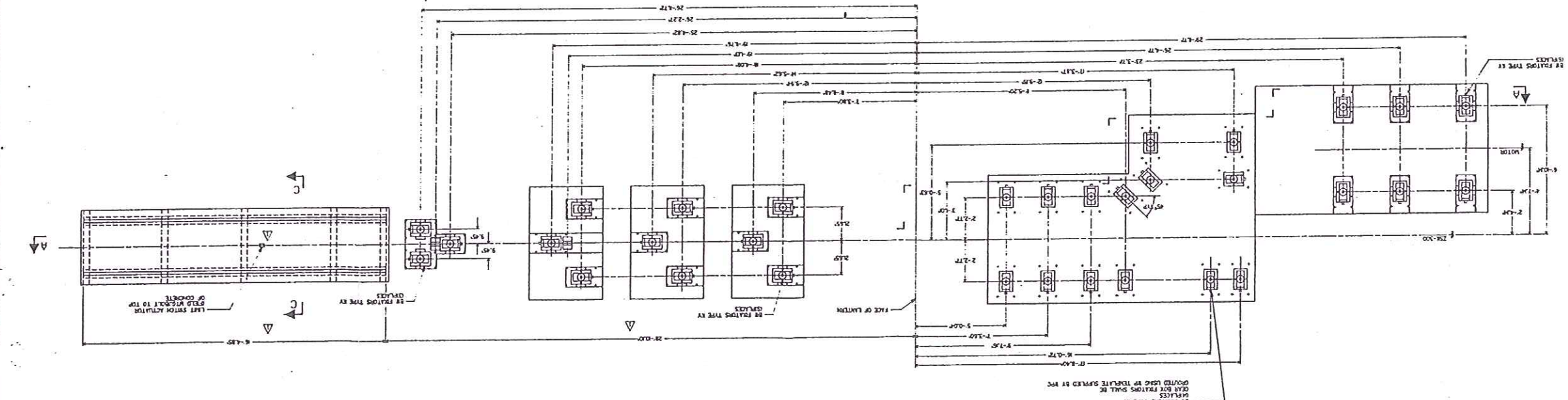
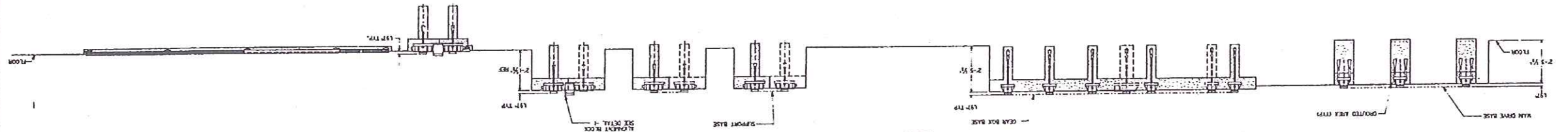
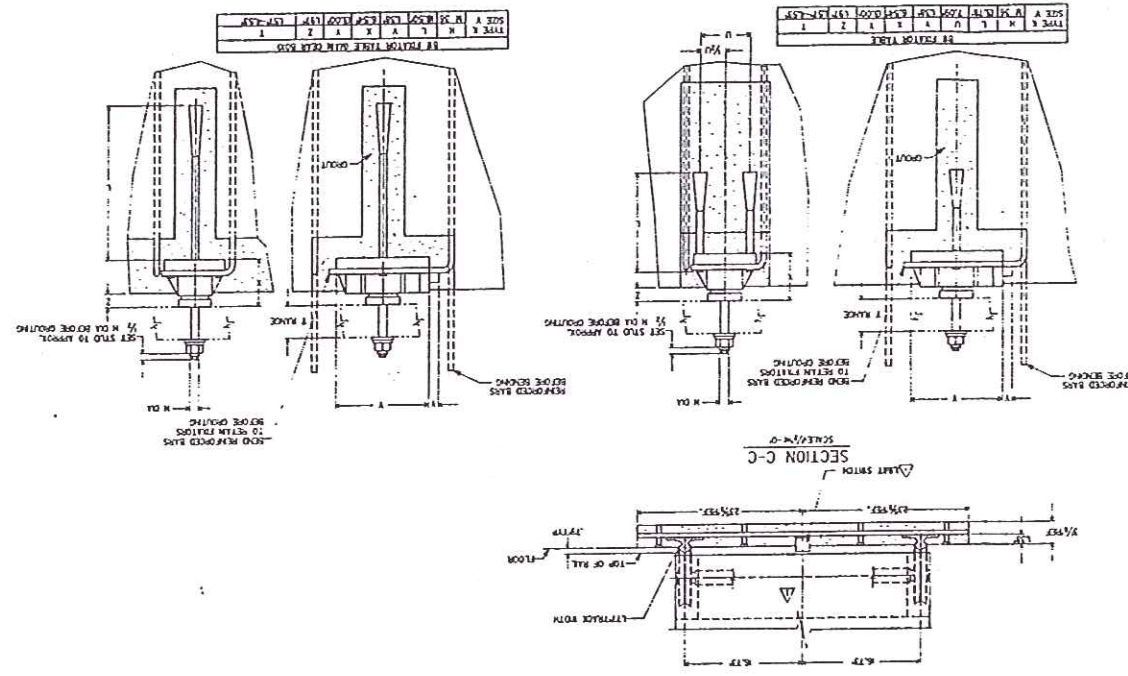
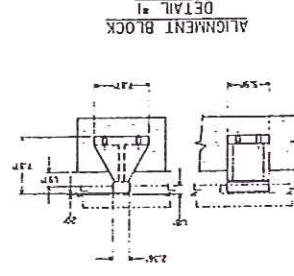
1. LANTERN SHEETS SHALL BE PRINTED AS SHOWN ON DRAWING.

2. ALL CONCRETE SHALL BE CLASSIFIED AS PER LOCAL CODES.

3. ALL STEEL SHALL BE A36 UNLESS OTHERWISE SPECIFIED.

4. ALL DIMENSIONS ARE IN INCHES UNLESS OTHERWISE SPECIFIED.

5. FOUNDATION SHALL BE CONCRETE ON GRADE UNLESS OTHERWISE SPECIFIED.



SMITHSONIAN INSTITUTION