

ENGINEERING DATA
FILE COPY

PO-7121-63-16-4 & 5
P.O. 726650-BX
REC 5-25-70

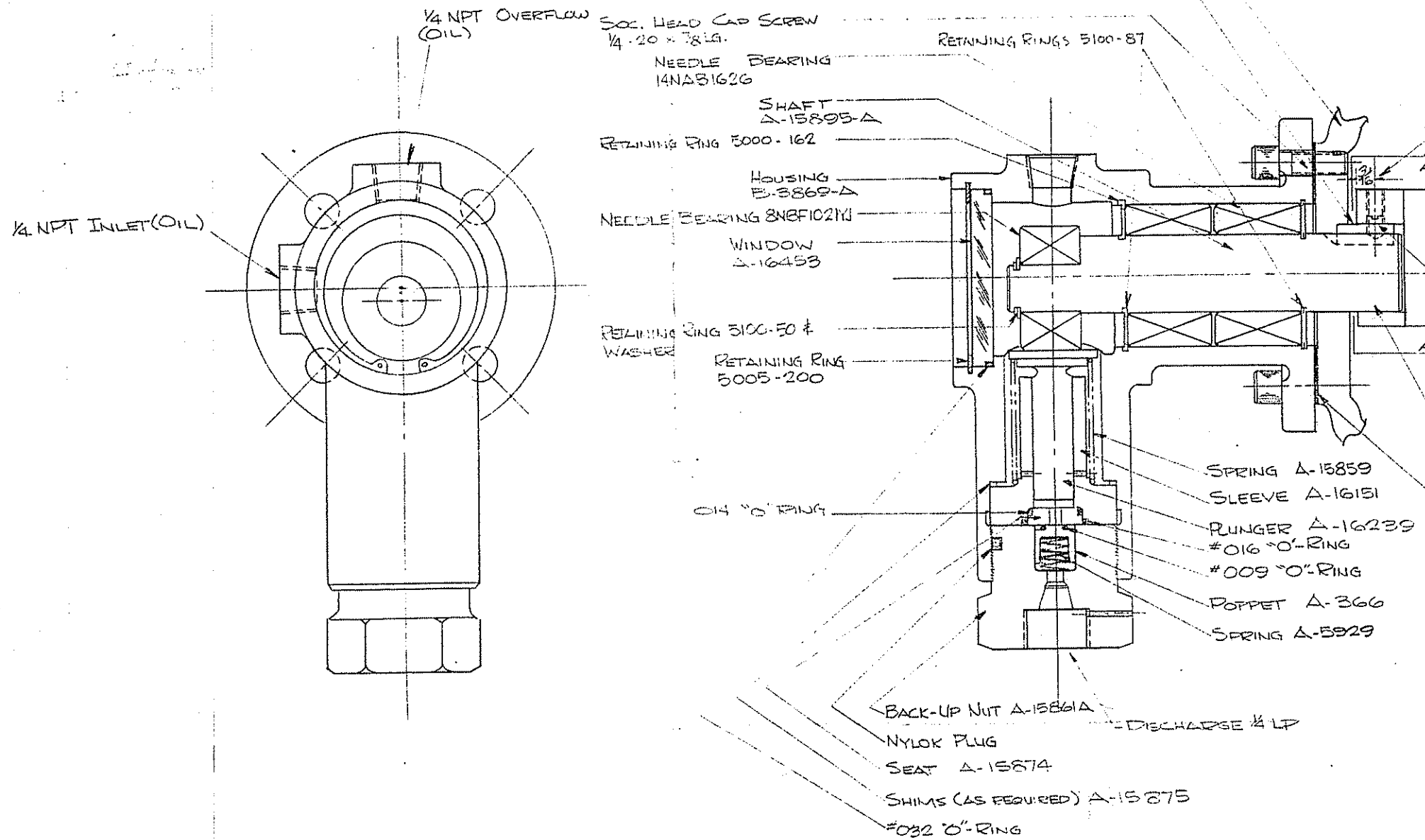
CERTIFIED PRINT
PRESSURE PRODUCTS INDUSTRIES
DIV. OF THE DUNLOP CO., INERIES
Customer: PHILLIPS PETROLEUM
Cust. Order No. P-726650
P.P.I. No. AOH-00123
By: [Signature]
Date: 5-20-70

REV	DATE	DESCRIPTION	BY
PRESSURE PRODUCTS INDUSTRIES, INC. HATBORO, PA.			
COMPRESSOR LAYOUT			
MODEL 3098 1000 PSI			
DATE	6/7/70	S.O. 123/124	
DR	CS	ASSY	
CF			
APR		SCALE 2.00	
			DRAWING NUMBER C3937-0

PUMP HOUSING A-15892
 LOCATE CENTERS OF 4 HOLES
 FOR ITEM 26 AT ASSEMBLY

KEY

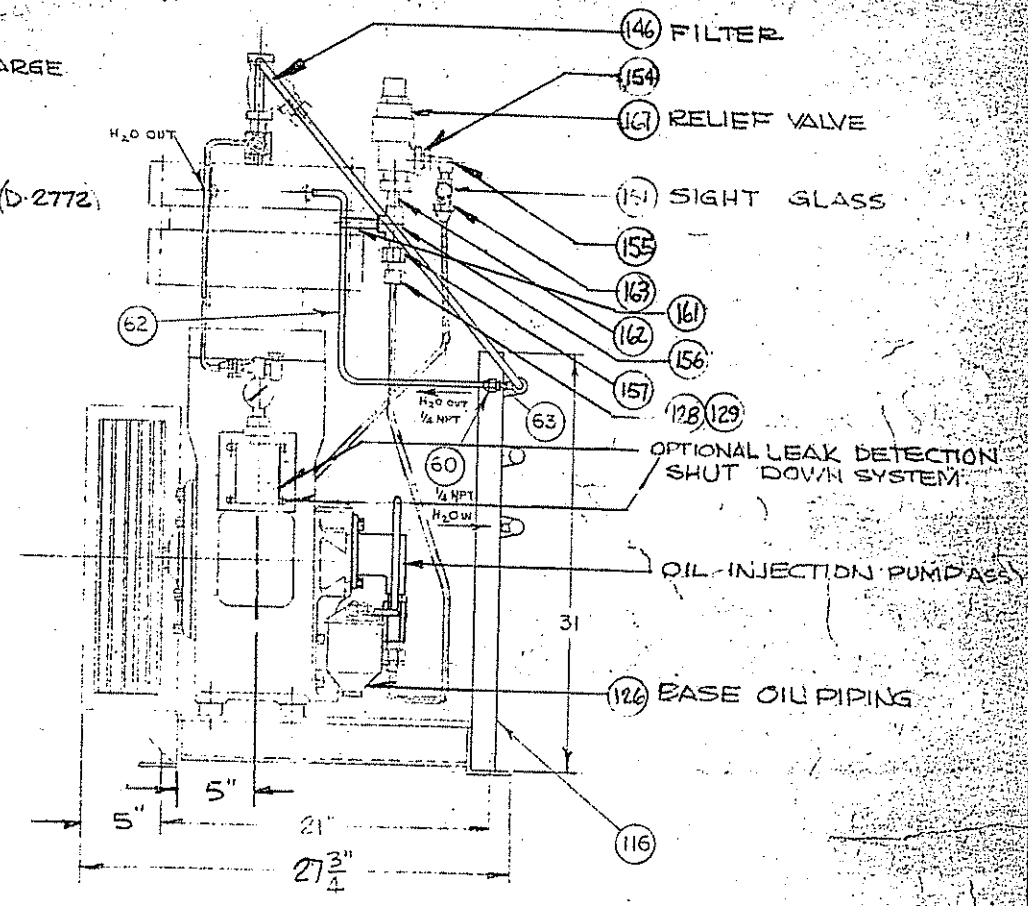
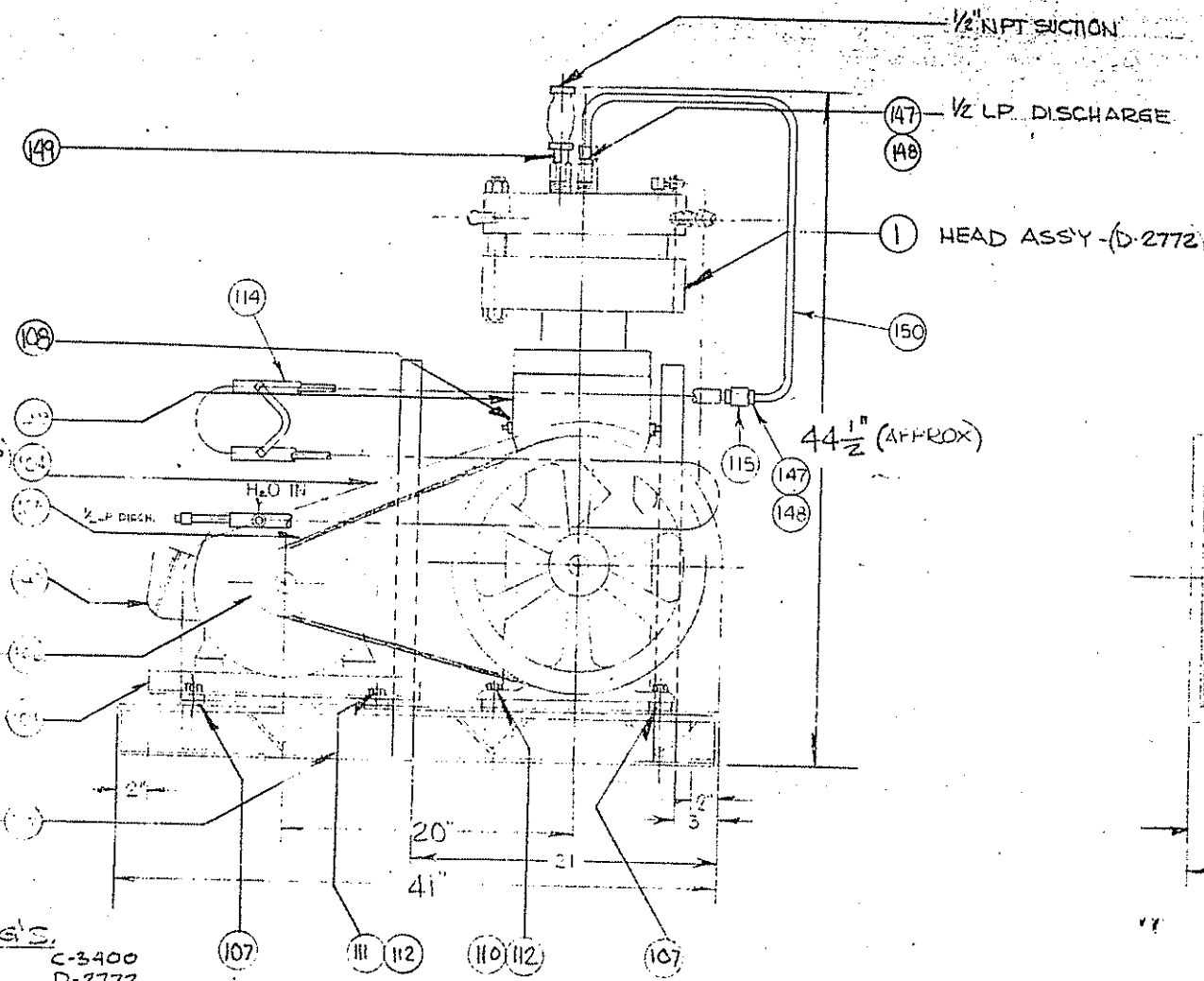
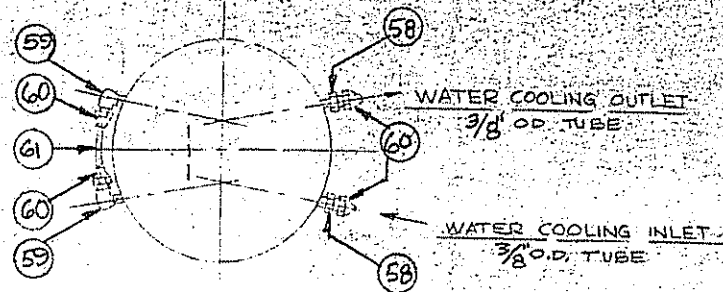
NOTE:
 WITH INJECTION PUMP SHAFT
 BOTTOMED IN RECESS IN CRANK
 SHAFT TAP DRILL #21 THEN
 CRANKSHAFT & INTO INJECTION
 PUMP SHAFT TO DEPTH OF
 DRILL POINT, TAP CRANK -
 SHAFT THRU #10-32



NOTE:
 REAM END OF CRANK-
 SHAFT (IF NECESSARY)
 TO FIT END OF PUMP
 SHAFT

11	4/21/68	CHANGED RETAINING RINGS	JM
10	12-10-68	ADD #016 O-RING FIXED SEAT A-15874	JM
9	12-23-68	REDRAWN	JM
REV	DATE	DESCRIPTION	BY
PRESSURE PRODUCTS INDUSTRIES, INC. HATBORO, PA.			
OIL INJECTION PUMP			
DATE	12-23-68	S.O.	DRAWING NUMBER
DR.	MARTIN	ASSY	C-2459-11
CH.			
APP.		SCALE FULL	

3250 PSI - .037 DISPL./STROKE



- 109 LAA COMPRESSOR BASE
- 114 BELT GUARD - STEEL C-2870-D
- 108 SV-800 VEE BELTS
- 107 MOTOR - 1/2 HP
- 110 SHEAVE, CAST IRON
- 112 MOTOR SLIDE BASE
- 107 BASE PLATE - STEEL

- REFERENCE DWG'S.**
- (1) COMPRESSOR LAYOUT C-3400
 - (2) HEAD ASS'Y D-2772
 - (3) BASE OIL PIPING A-19691
 - (4) OIL INJECTION PUMP ASS'Y C-2459

REF. C-3399

REV	DATE	DESCRIPTION	BY
PRESSURE PRODUCTS INDUSTRIES, INC. HATBORO, PA.			
WORKING LAYOUT			
MODEL 3098 1000 PSI			
DATE	4-2-70	NO. ACH. 00123	DRAWING NUMBER
DR.	TM	ASSY.	
CH			
			C-3954-0