

Venturi Scrubbers

Collect Ultrafine Particles and Mists

The Venturi Scrubber uses the differential between high velocity gases and free-flowing water to create droplets which entrap contaminants, hold them in suspension and deliver them as a highly concentrated slurry.

Unsurpassed for Separating and Recovering Liquid Mists and Ultrafine Particulate

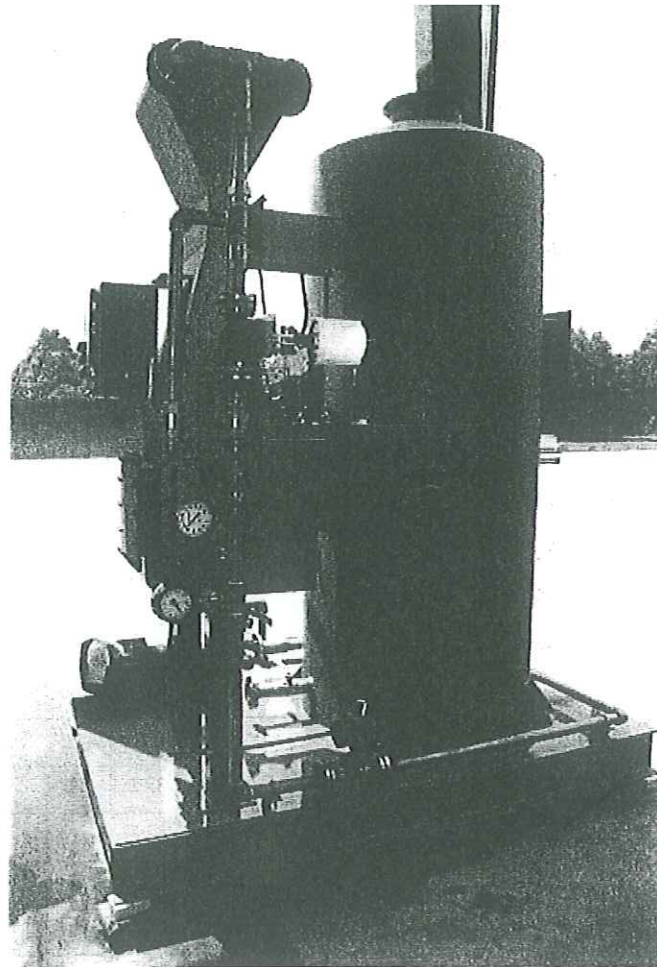
Simple in design, yet highly efficient, the Sly Venturi Scrubber incorporates features calculated to maximize collection efficiency while minimizing operating and maintenance costs. They range from a non-plugging, trouble-free method of introducing scrubbing liquid and a simple, easily-adjusted throat for optimizing efficiency, to a flooded elbow arrangement that collects agglomerated particulate while providing an abrasion-resistant barrier to deter scrubber wear.

Cleans and Reclaims

The Sly Venturi Scrubber serves industry in several ways. It removes pollutants present in process gas streams. This includes removing hazardous and nuisance dusts, fumes and mists from stack gases. Cleaning process gas streams to remove oils, dusts and other particulate, this scrubber offers an opportunity to recycle these gases as fuels or process raw materials.

Venturi Scrubber Highlights

- Collects fine particles & mists
- Adjustable throat permits fine-tuning to maximize efficiency
- High efficiencies for sub-micron particulate
- Water requirements are typically 7.5 GPM per 1000 CFM
- Capacities from 1000 to 100,000 CFM



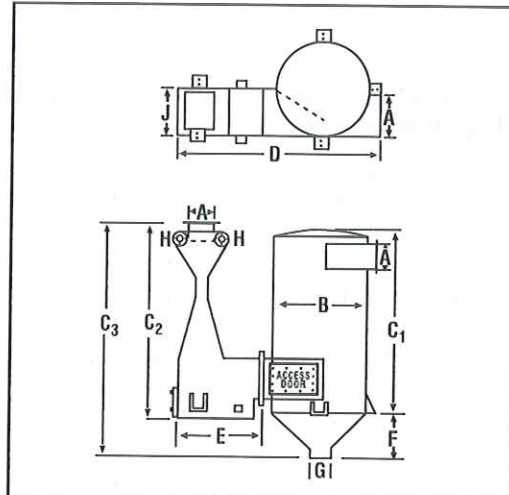
Venturi Scrubbers

Standard Equipment

- Manually adjustable throat
- Adjustable cyclonic spin damper
- Flooded elbow
- Wetted approach inlet
- Removable liquid distributors
- Access doors (bolted)
- Carbon steel/Stainless steel construction

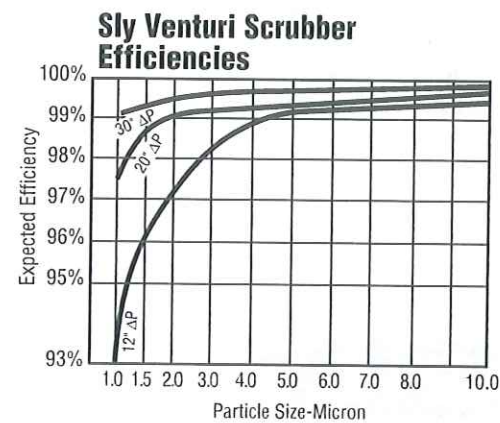
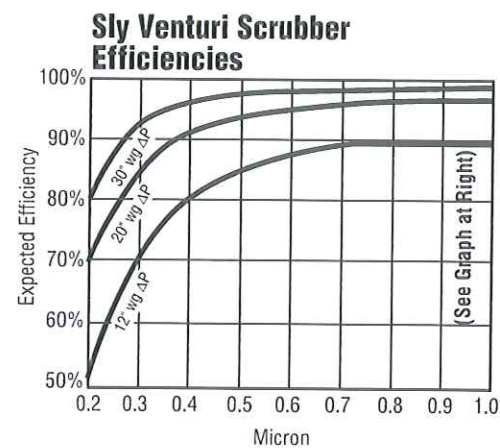
Optional Equipment and Features

- Auto adjustable throat
- Corrosion resistant alloy construction
- Quick opening doors
- Complete package systems



Venturi Scrubber Capacities & Dimensions

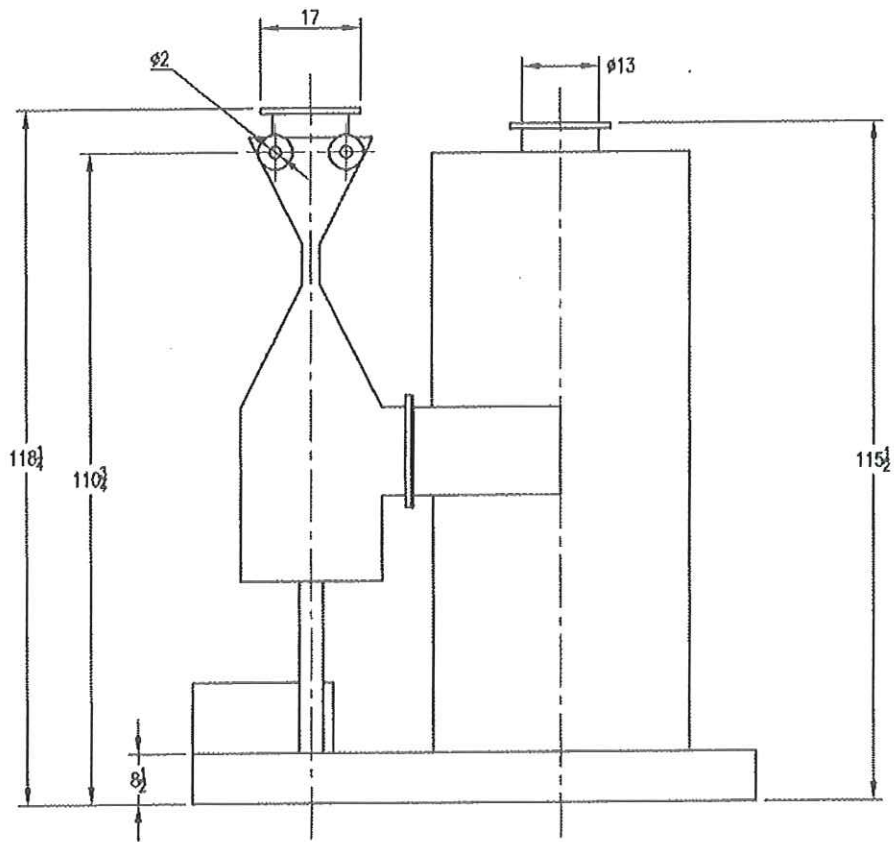
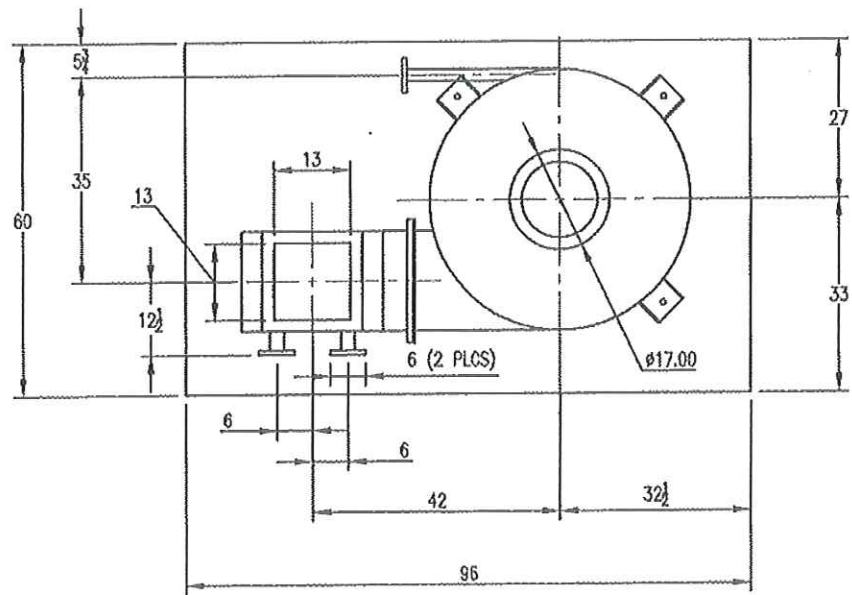
Size	Nominal Capacity Sat. CFM	Inlet & Outlet A	Sep. Dia. B	Sep. C ₁	Vent C ₂	Overall Height C ₃	Overall Width D	Venturi Width E	Sep. Cone F	Drain Pipe G	Water Pipe H	Venturi Depth J
1	2,600/3,600	13x13	3'-8"	6'-6"	6'-5 11/16"	7'-2 3/16"	6'-7 1/2"	2'-4"	1'-3 1/2"	3"	2"	1'-5"
2	3,600/4,700	15x15	4'-1"	7'-2"	6'-8 11/16"	7'-6 11/16"	7'-2 1/2"	2'-6"	1'-5"	4"	2"	1'-5"
3	4,700/6,300	17x17	4'-8"	8'-2"	7'-2 15/16"	8'-2 15/16"	7'-11 3/4"	2'-11"	1'-7"	4"	2"	1'-9"
4	6,300/8,500	20x20	5'-3"	9'-1"	7'-8 9/16"	8'-10 9/16"	8'-10 1/2"	3'-2"	1'-9"	4"	2"	1'-9"
5	8,500/11,500	23x23	5'-11"	10'-4"	8'-9 1/4"	10'-1 3/4"	9'-10 1/2"	3'-7"	1'-11 1/2"	6"	3"	2'-4"
6	11,500/15,000	26x26	6'-7"	12'-1"	9'-6 1/2"	11'-1"	10'-11 3/4"	3'-10 3/4"	2'-1 1/2"	6"	3"	2'-4"
7	15,000/20,000	30x30	7'-5"	14'-1"	11'-3 1/4"	13'-0 3/4"	12'-5"	4'-8 1/2"	2'-4 1/2"	6"	4"	3'-1"
8	20,000/27,000	35x35	8'-4"	16'-5"	11'-10 1/2"	14'-1 1/4"	13'-7 1/2"	5'-1"	2'-9 3/4"	8"	4"	3'-1"
9	27,000/36,000	40x40	9'-4"	19'-0"	14'-6 1/2"	16'-10 1/2"	15'-7 3/4"	6'-1"	2'-11"	8"	4"	4'-4 1/2"
10	36,000/48,000	46x46	10'-6"	22'-1"	15'-4"	18'-0 1/4"	17'-2 3/8"	6'-6"	3'-3 1/4"	10"	6"	4'-4 1/2"
11	48,000/60,000	52x52	11'-10"	25'-7"	17'-6"	20'-7"	19'-3 3/8"	7'-5"	3'-8"	10"	6"	5'-10"



©1998 Sly Inc.
WS300 398
Printed in U.S.A.



P.O. Box 5939
Cleveland, OH 44101
Telephone: (440) 891-3200
Fax: (440) 891-3210
(800) 334-2957
www.slyinc.com
E-mail: info@slyinc.com



Detail - Scrubber
 $1/2" = 1'-0"$

